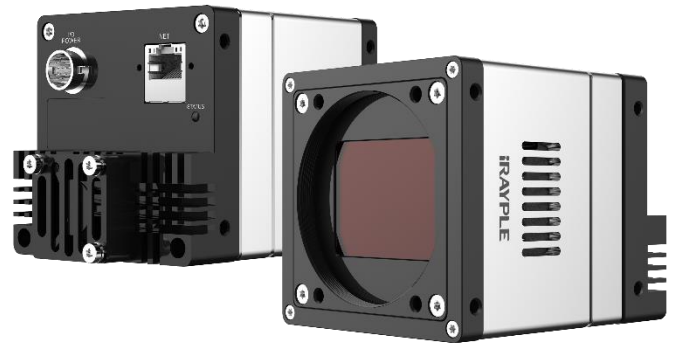


Large Area Scan Camera

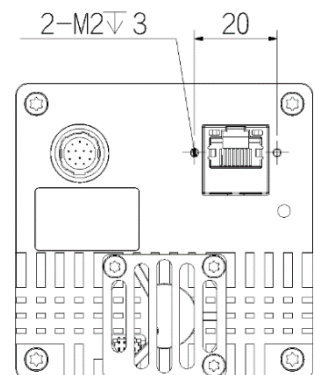
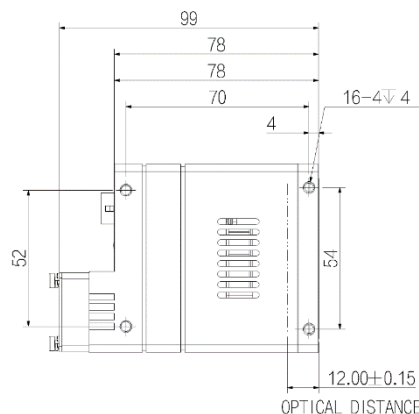
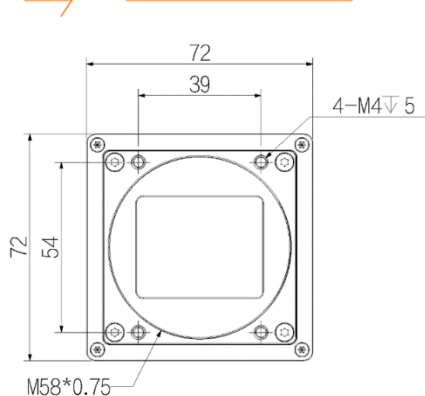
AX7A20CT250E

Product Features

- 10GigE interface, provides up to 10Gbps effective bandwidth;
- A patented flatness mediation scheme to eliminate area defocusing;
- Excellent heat dissipation design, precise temperature control and constant temperature maintenance;
- 1GB on-board cache for data transmission or image resend;
- Support Software Trigger/Hardware Trigger/Free Run Mode;
- Support user-defined ROI, horizontal mirroring and vertical mirroring;
- Support ISP functions including Auto Exposure/Auto Gain/Auto BlackLevel/Gamma Correction and LUT; Color cameras support automatic white balance;
- Support for FFC function to provide more uniform picture quality;
- Support mutil-frame average function, up to 4 frames averaging;
- Support fan speed adaptive function for setting the target temperature of the sensor;
- Conform to GigE Vision protocol and GenICam standard;
- Support DC 24V voltage power supply;
- Conform to CE, FCC, KC, RoHS;



Dimensions (mm)



Technical Specifications

Model Name	AX7A20CT250E
Sensor	IMX253
Sensor Type	CMOS
Shutter	Global
Resolution	4096 x 3000
Frame Rate	68
Bit Depth	10
Mono/Color	Color
Pixel Size	3.45 x3.45
Pixel	12MP
S/N Ratio	39dB
WDR	71.6dB
Image Format	BayerRG8/BayerGB8/BayerRG10/BayerGB10/BayerRG10Packed/BayerGB10Packed
ROI	Support
X-axis Flip	Support
Y-axis Flip	Support
Gain	1~32
White Balance	Support
Gamma	From 0 ~ 4, support LUT
Exposure Time	1 μ S~15S
Sync Mode	Software Trigger/Hardware Trigger/Free Run Mode
SPC	Support
User Setting	Support two sets of user-defined configurations
Storage	1GB data storage
Port	10GigE
GPIO	3x Opto-isolated input, 3x Opto-isolated output, 1 RS232 serial port
Lens Mount	M58 x 0.75
Power Supply	DC 24V power supply via the 12-pin Hirose interface
Power Consumption	24V \approx 18.7W
Product Dimensions	72mm*72mm*78mm(not including rear case connector)
Weight	583g
Working Environment	Storage: - 30°C~+80°C; Operation: - 30°C~+50°C

© 2021 IRAYPLE. All rights reserved. Design and specifications are subject to change without notice.

Pictures in the document are for reference only, and the actual product shall prevail.