

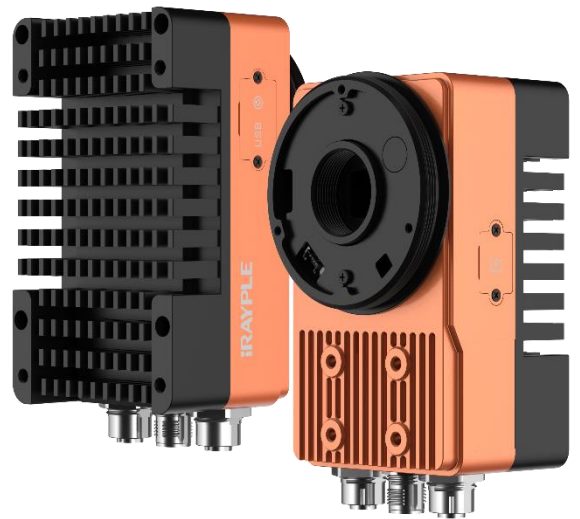
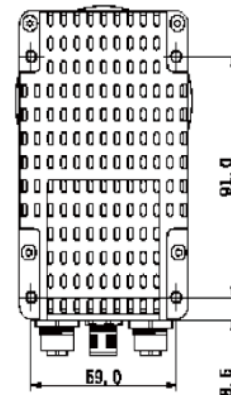
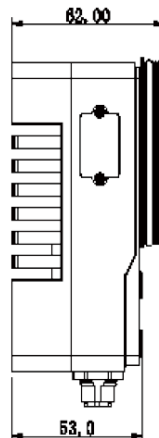
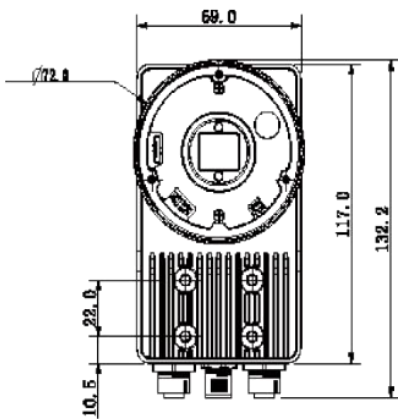
X86 Smart Camera

SI5A20MG000E

Product Features

- Support Win10 OS, support secondary development based on iRAYPLE SDK;
- Support VGA/USB interface and extended keyboard/mouse connection;
- 4G RAM & 64G SSD;
- Support software trigger/hardware trigger/free run mode;
- Gigabit Ethernet interface, providing 1Gbps bandwidth;
- Abundant IO interfaces, RS232/485, 3 Opto-isolated inputs, 3 Opto-isolated outputs;
- Industrial-grade M12 connector, IP67 protection level;
- Support DC 24V power supply;

Dimensions (mm)



Technical Specifications

| Model Name | SI5A20MG000E |
|------------------------|---|
| Resolution | 4000 x 3000 |
| Frame Rate | 20 |
| Sensor Type | 1/1.7", CMOS |
| Shutter | Rolling |
| Pixel | 1.85 x 1.85 |
| Mono/Color | Mono |
| Lens Mount | C-mount |
| Sync Mode | Software Trigger/Hardware Trigger/Free Run Mode |
| Software | Support MVP algorithm platform / Support customer-designed software |
| Certification | CE, FCC, KC |
| Function | Abundant code reading (1D code Code128/Code39/Code93/EAN, etc.; 2D code QR/DM/Vericode, etc.) |
| Connector | 3 industrial level M12 connectors, Ethernet, GPIO interface and VGA |
| Network Port | Gigabit Ethernet |
| GPIO | 3 Opto-isolated inputs and 3 Opto-isolated outputs |
| Communication Mode | RS232, Ethernet |
| Communication Protocol | SDK, Serial, TCPServer, TCPClient, Profinet, Modbus TCP |
| LED Indicator | Power, Network, Trigger |
| Power Supply | DC24V |
| Power Consumption | ≤30W |
| Product Dimensions | 132.2mm*69mm*62mm |
| Package Dimensions | 190mm*179mm*127mm |
| Product Weight | < 600g |
| Package Weight | < 800g |
| Protection Level | IP67 |
| Shell Material | Aluminum alloy |
| Operating Temperature | -20°C ~ +50°C |
| Operating Humidity | 20% ~ 95%, no condensing (lens cover is properly installed) |
| Storage Temperature | -30°C ~ +80°C |

© 2021 IRAYPLE. All rights reserved. Design and specifications are subject to change without notice.
Pictures in the document are for reference only, and the actual product shall prevail.