

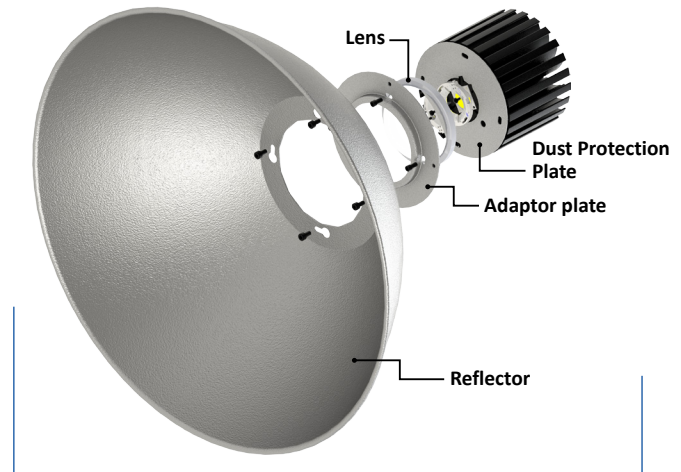
# MechaTronix in LED

## Reflector & Lens connection system for high bay LED cooler



### Features & Benefits

- Accessories compatible with MechaTronix High Bay series LED Coolers
- With the ModuLED Mega / Giga optics adaptor you get an unprecedented flexibility in choices of optics. Equipping your high bays with a wide variety of reflectors in metal or plastic, adding lenses for a controlled light image,... it all becomes plug-and-play
- With the Dust Protection Plate you can prevent dust accumulation in the lens through open structure of the ModuLED cooling fins
- IES and EULUMDAT files available for lens-only, reflector-only and lens-reflector combinations



### Order Information

#### Adaptor plate

Example : ModuLED Mega optics adaptor

ModuLED **1** optics adaptor

- 1 LED cooler compatibility  
Mega - for ModuLED Mega-HBG  
Giga - for ModuLED Giga-HBG

#### Dust Protection Plate

Example : DPP-Mega-2828-01  
(28mm x 28mm COB, Cable hole position for HBG-60 LED driver)

DPP- **1** - **2** - **3**

- 1 LED cooler compatibility  
Mega - for ModuLED Mega-HBG  
Giga - for ModuLED Giga-HBG
- 2 COB dimension (mm)
- 3 MW HBG driver cable hole position  
01 - for MW HBG-60  
02 - for MW HBG-100  
None - for MW HBG-160

#### Lens

Example : CoolBay® Lens 90

CoolBay® Lens **1**

- 1 Lens beam angle  
60 - beam angle 60°  
90 - beam angle 90°  
120 - beam angle 120°

#### Reflector

Example : CoolBay® Reflector 45

CoolBay® Reflector **1** **2**

- 1 Reflector beam angle  
45 - beam angle 45°  
90 - beam angle 90°  
120 - beam angle 120°
- 2 Material  
None - Aluminium  
PC - Polycarbonate

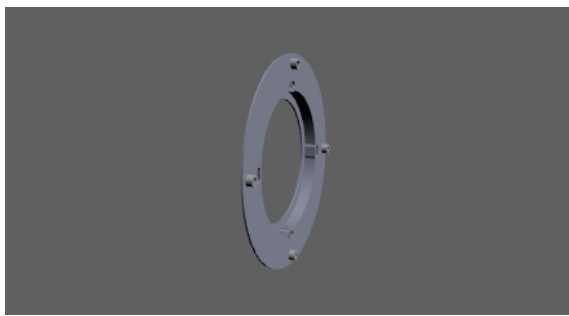
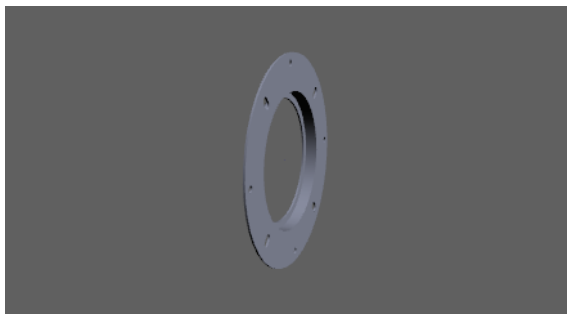
# MechaTronix in LED

## Reflector & Lens connection system for high bay LED cooler



### Product Details

#### Adaptor plate

<b>Model n°</b>		
	ModuLED Mega optics adaptor	ModuLED Giga optics adaptor
Dimension (mm)	ø158	ø158
Weight (gr)	60	60
Material	AL-1050	AL-1050

#### Lens

<b>Model n°</b>			
	CoolBay® Lens 60	CoolBay® Lens 90	CoolBay® Lens 120
Dimension (mm)	ø100 x 39.5(H)	ø100 x 35(H)	ø100 x 29.5(H)
Beam angle	60	90	120
Weight (gr)	195	215	170
Material	glass	glass	glass
IES & Eulumdat files	<a href="#">Citizen CLU046 / 1750mA</a> <a href="#">Citizen CLU056 / 2600mA</a>	<a href="#">Citizen CLU046 / 1750mA</a> <a href="#">Reflector 90 / Citizen CLU046 / 1750mA</a> <a href="#">Citizen CLU056 / 2600mA</a>	<a href="#">Citizen CLU046 / 1750mA</a> <a href="#">Citizen CLU056 / 2600mA</a>

#### Notes:

- MechaTronix reserves the right to change products or specifications without prior notice.
- Mentioned models are an extraction of full product range.
- For specific mechanical adaptations please contact MechaTronix.

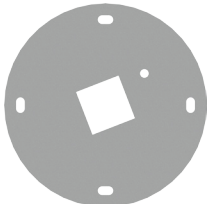
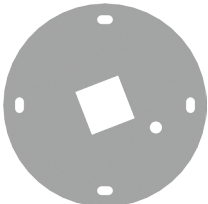
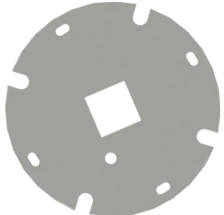
# MechaTronix in LED

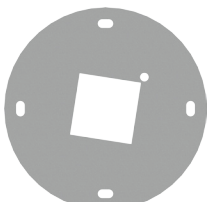
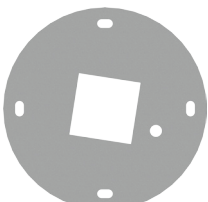
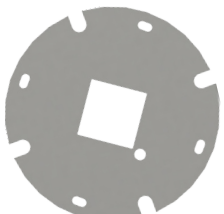
## Reflector & Lens connection system for high bay LED cooler

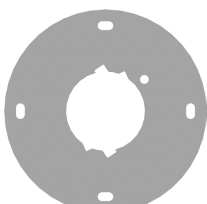
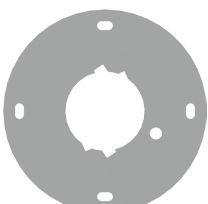
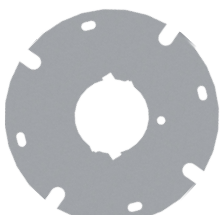


### Product Details

#### Dust Protection Plate

<b>Model n°</b>	 DPP-Mega-2828-01	 DPP-Mega-2828-02	 DPP-Giga-2828
<b>Dimension (mm)</b>	ø134.6	ø134.6	ø152
<b>Weight (gr)</b>	38	38	41
<b>Material</b>	AL-1050	AL-1050	AL-1050

<b>Model n°</b>	 DPP-Mega-3838-01	 DPP-Mega-3838-02	 DPP-Giga-3838
<b>Dimension (mm)</b>	ø134.6	ø134.6	ø152
<b>Weight (gr)</b>	36	36	41
<b>Material</b>	AL-1050	AL-1050	AL-1050

<b>Model n°</b>	 DPP-Mega-ZHAGA3-01	 DPP-Mega-ZHAGA3-02	 DPP-Giga-ZHAGA3
<b>Dimension (mm)</b>	ø134.6	ø134.6	ø152
<b>Weight (gr)</b>	32	32	41
<b>Material</b>	AL-1050	AL-1050	AL-1050

#### Notes:

- MechaTronix reserves the right to change products or specifications without prior notice.
- Mentioned models are an extraction of full product range.
- For specific mechanical adaptations please contact MechaTronix.



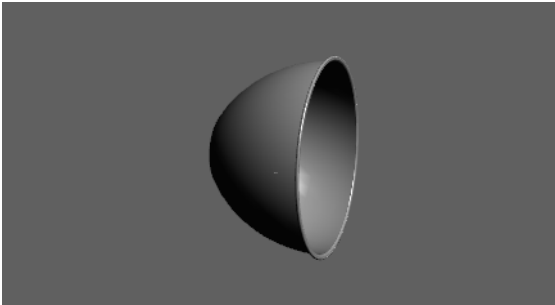
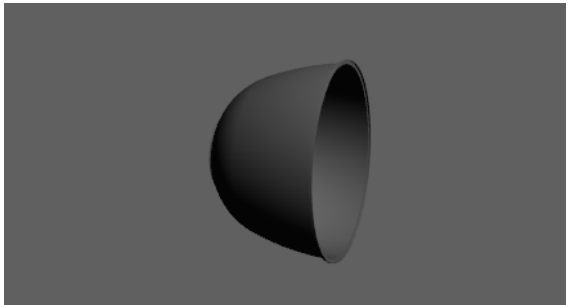
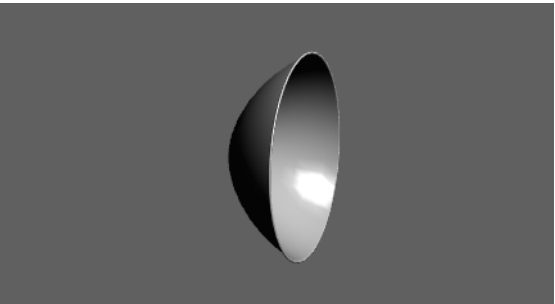
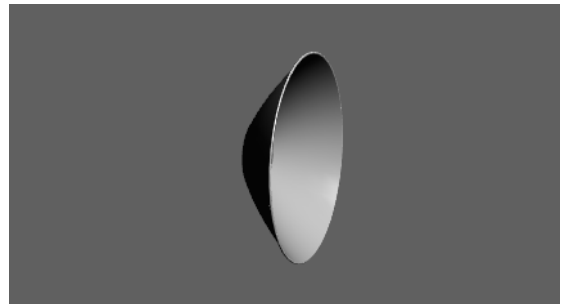
# MechaTronix in LED

## Reflector & Lens connection system for high bay LED cooler



### Product Details

#### Reflector

<b>Model n°</b>	 CoolBay® Reflector 45	 CoolBay® Reflector 45 PC
<b>Dimension (mm)</b>	255(H) x 415(D)	265(H) x 410(D)
<b>Beam Angle(°)</b>	45	45
<b>Weight (gr)</b>	615	850
<b>Material</b>	AL-1070	Polycarbonate
<b>IES &amp; Eulumdat files</b>	<a href="#">Citizen CLU046 / 1750mA</a> <a href="#">Citizen CLU056 / 2600mA</a>	<a href="#">Citizen CLU046 / 1750mA</a> <a href="#">Citizen CLU056 / 2600mA</a>
<b>Model n°</b>	 CoolBay® Reflector 90	 CoolBay® Reflector 120
<b>Dimension (mm)</b>	185(H) x 515(D)	145(H) x 495(D)
<b>Beam Angle(°)</b>	90	120
<b>Weight (gr)</b>	665	585
<b>Material</b>	AL-1070	AL-1070
<b>IES &amp; Eulumdat files</b>	<a href="#">Citizen CLU046 / 1750mA</a> <a href="#">Lens 90 / Citizen CLU046 / 1750mA</a> <a href="#">Citizen CLU056 / 2600mA</a>	<a href="#">Citizen CLU046 / 1750mA</a> <a href="#">Citizen CLU056 / 2600mA</a>

#### Notes:

- MechaTronix reserves the right to change products or specifications without prior notice.
- Mentioned models are an extraction of full product range.
- For specific mechanical adaptations please contact MechaTronix.

# MechaTronix in LED

## Reflector & Lens connection system for high bay LED cooler



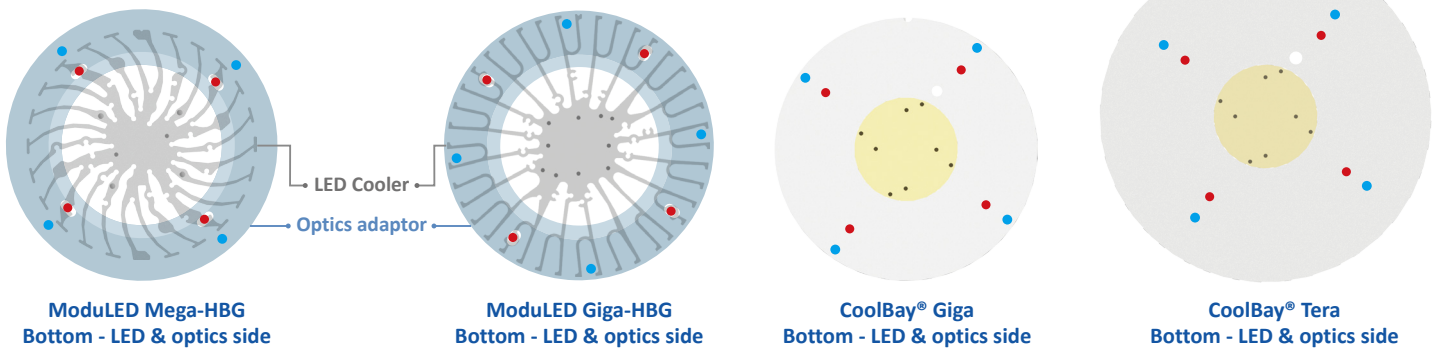
### Mounting Options

### MechaTronix High Bay LED accessories



With regards to reflectors we have equipped our high bay with the most common high bay reflector standard, the 143mm pitch. For the lenses the standard mounting pattern is foreseen for all 100mm lenses with or without rubber gasket. Although we don't produce our own lenses and reflectors, we keep a limited number of models from stock available for your urgent needs. Below you can find an overview of these models as well as the mounting patterns which go along.

#### Mounting indicator marks overview on MTX High Bay LED Coolers



ModuLED Mega-HBG  
Bottom - LED & optics side

ModuLED Giga-HBG  
Bottom - LED & optics side

CoolBay® Giga  
Bottom - LED & optics side

CoolBay® Tera  
Bottom - LED & optics side



#### Adaptor plate for connection of reflector & lens

With the ModuLED Mega / Giga optics adaptor you get an unprecedented flexibility in choices of optics. Equipping your high bays with a wide variety of reflectors in metal or plastic, adding lenses for a controlled light image,... it all becomes plug-and-play.

##### Model Names

- ModuLED Mega optics adaptor
- ModuLED Giga optics adaptor

##### Mounting on ModuLED-HBG series

- Direct mounting on the LED cooler with 4 MTX screws M5 x 10mm
- Red indicator marks



#### CoolBay® Lens

A wide variety of diameter 100mm lenses made out of glass with beam angles 60 degrees, 90 degrees or 120 degrees - Comes together with a high quality rubber gasket. Plastic varieties in clear and milk colored are also available on request.

##### Model names

- CoolBay® Lens 60
- CoolBay® Lens 90
- CoolBay® Lens 120

##### Mounting on ModuLED-HBG series

- With optics adaptor + (4x) MTX screws M5 x 10mm
- Red indicator marks

##### Mounting on CoolBay® series

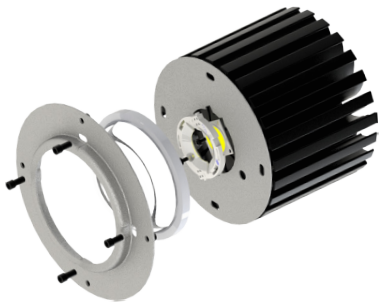
- Direct mounting with metal frame + (4x) screws M3 x 6mm
- Red indicator marks

# MechaTronix in LED

## Reflector & Lens connection system for high bay LED cooler



### Mounting Options



#### Dust Protection Plate

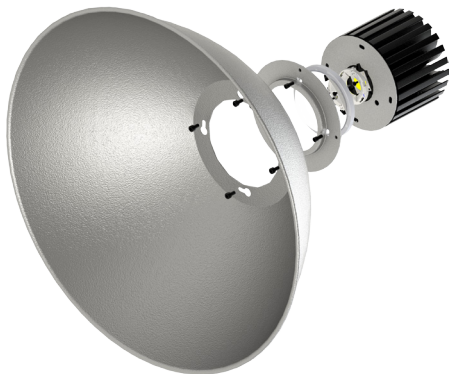
When you are using lenses on the ModuLED high bay coolers, the open structure of the cooling fins might lead to dust accumulation in the lens. To avoid this MechaTronix has developed a range of dust protection plates (DPP) which go along with various COB sizes and LED holders. This option is of course not needed when you equip your high bay with a reflector only.

#### Model Names

- DPP-Mega-2828-01
- DPP-Mega-2828-02
- DPP-Mega-3838-01
- DPP-Mega-3838-02
- DPP-Mega-ZHAGA3-01
- DPP-Mega-ZHAGA3-02
- DPP-Giga-2828
- DPP-Giga-3838
- DPP-Giga-ZHAGA3

#### Mounting on ModuLED-HBG series

- Direct mounting on the LED cooler with 4 MTX screws M5 x 6mm
- Red indicator marks



#### CoolBay® Reflector

A limited range of high-end off-the-shelf available high bay reflectors in high transfective coated aluminium or polycarbonate. All our reflectors follow the most common mounting standard with a pitch of 143mm and can be fixed with the ModuLED Mega optics adaptor towards the LED cooler. All our reflectors are transported in a special adapted packaging for damage prevention.

#### Model names

- CoolBay® Reflector 45
- CoolBay® Reflector 45 PC
- CoolBay® Reflector 90
- CoolBay® Reflector 120

#### Mounting on ModuLED-HBG series

- Direct mounting on optics adaptor with 4 screws M5 x 6mm
- Blue indicator marks

#### Mounting on CoolBay® series

- Direct mounting with 4 screws M5 x 6mm
- Blue indicator marks



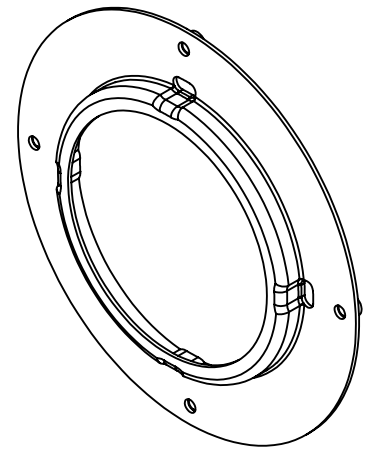
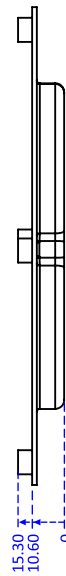
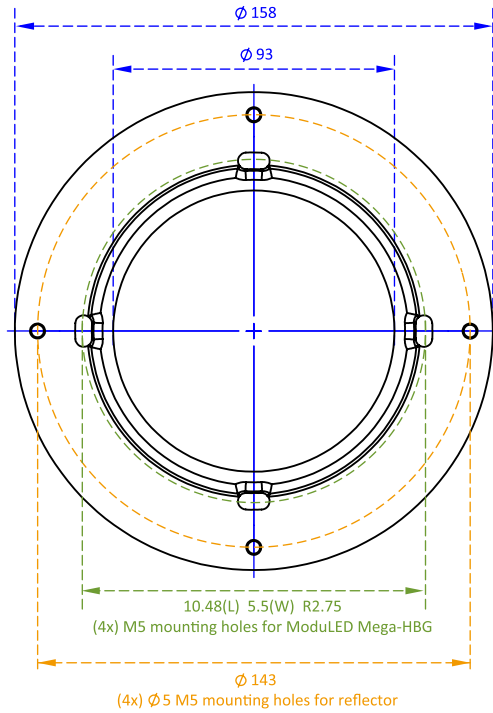
# MechaTronix in LED

## Reflector & Lens connection system for high bay LED cooler



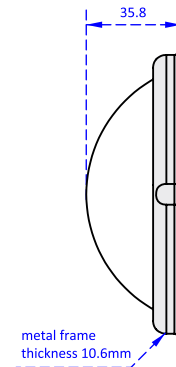
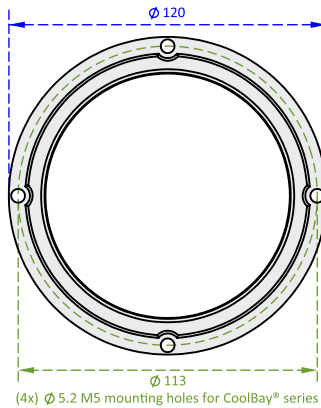
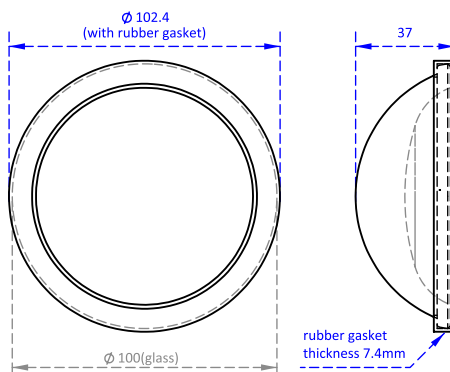
### Drawings & Dimensions

#### Example: ModuLED Mega optics adaptor



#### Example: CoolBay® Lens 90

##### With metal frame



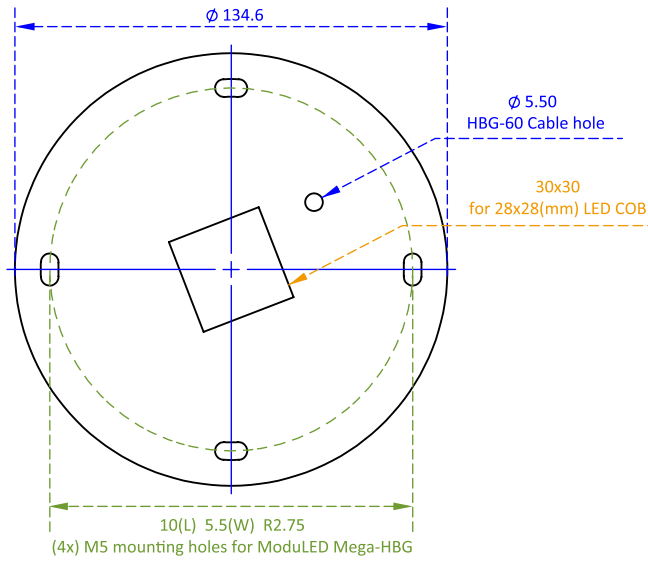
# MechaTronix in LED

## Reflector & Lens connection system for high bay LED cooler

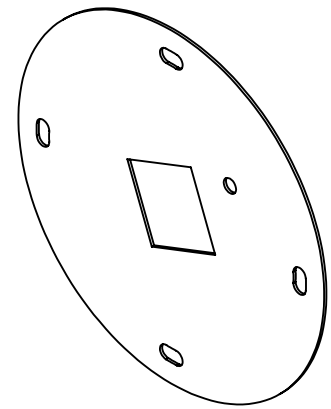


### Drawings & Dimensions

Example: DPP-Mega-2828-01



Thickness  
1 mm



Example: CoolBay® Reflector 45

